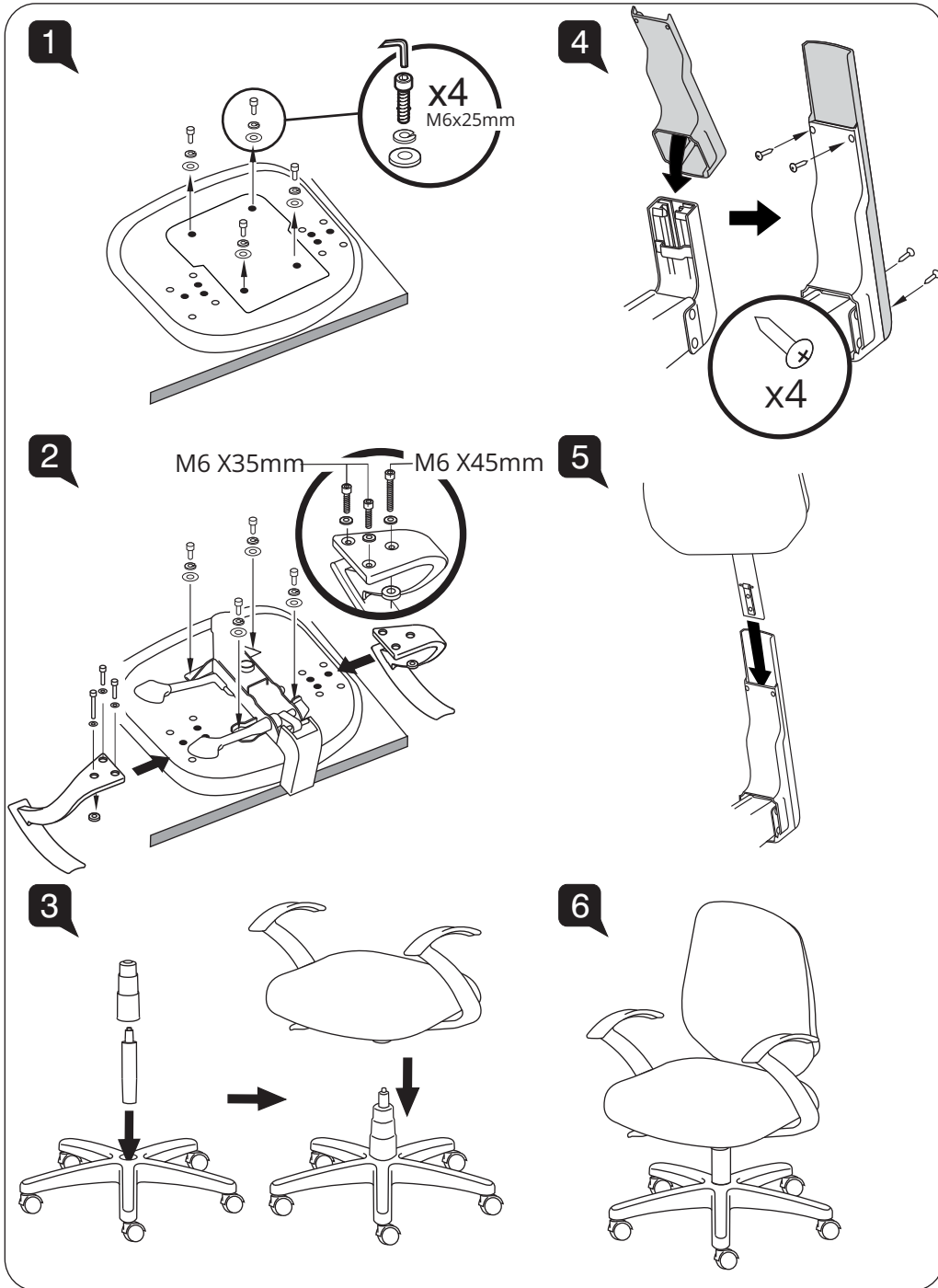


# Assembly Instruction



## BARCELONA 2 Models

T613 TK A05 M3  
T612 TK A05 M3

# User Instructions

- A** **Seat Height Adjustable**  
Flip up lever on right-side to raise or lower seat. Adjust such that your feet are adequately supported on floor.
- B** **Backrest Angle**  
Pull up lever to unlock backrest. Recline to desired angle, and release lever to lock.
- C** **Backrest Height**  
Hold backrest by both sides and pull up to desired height. To lower backrest, pull it to maximum height and then, return to lowest height to start again. Adjust height so that the backrest curvature follows the curve of your back.

