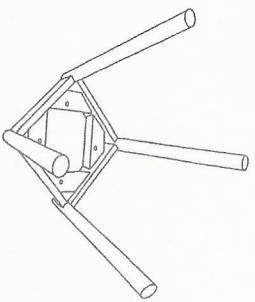
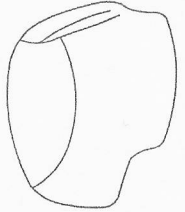



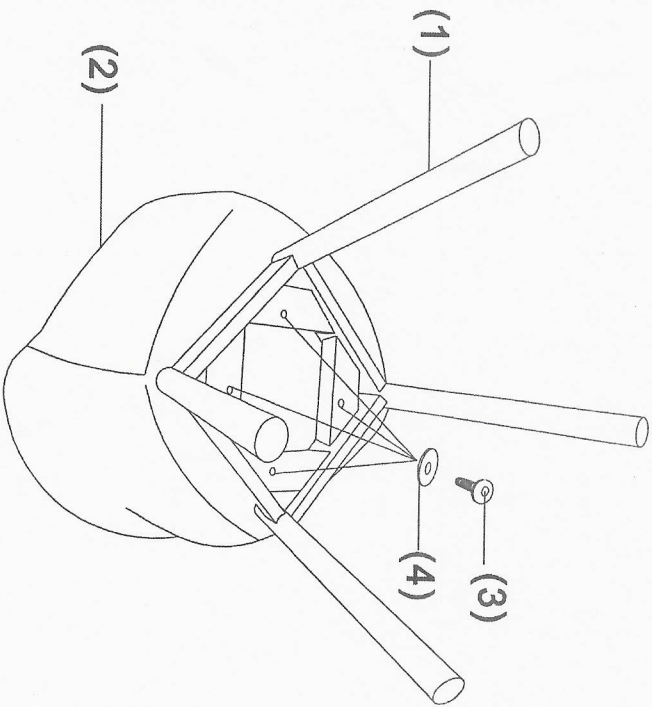


# ASSEMBLING INSTRUCTION

(1)x1	(2)x1	(3)x4	(4)x4	(5)x1
				

1



2

