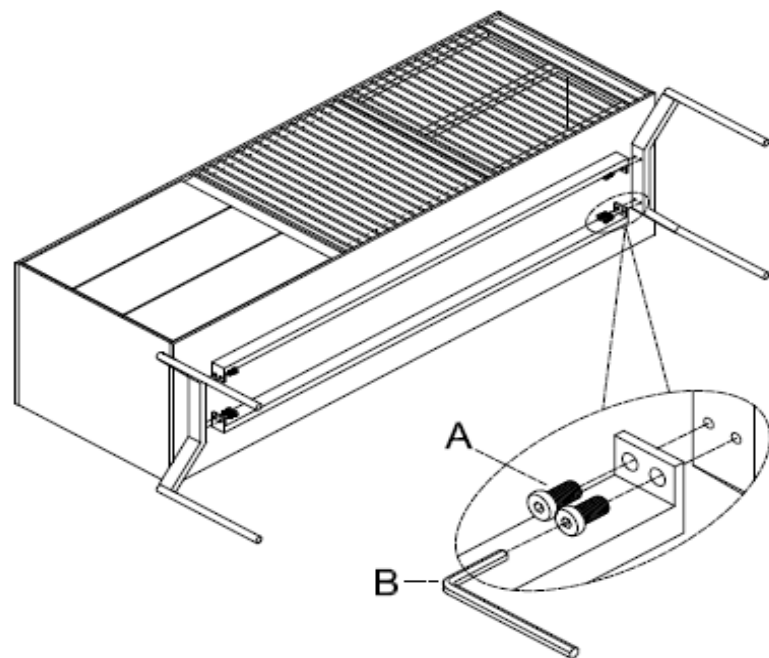
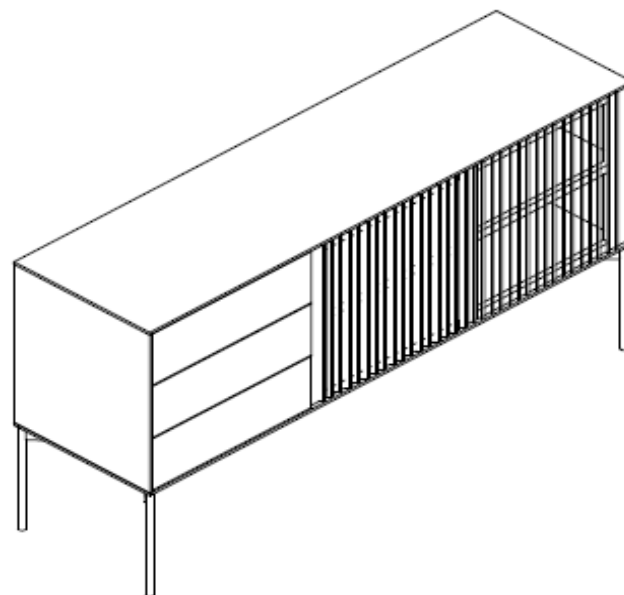


01



02



A



x8

B



x1

C



x4

D



x4

E



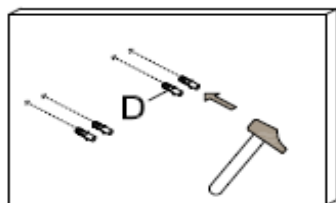
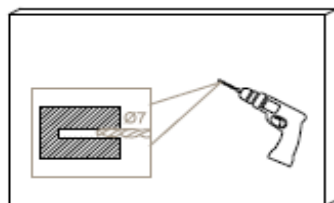
x4

F



x2

03



1400  
32  
730  
32  
4-Ø7\*50

04

